

# Parts Catalog

## E14 Floor Scrubber



**PREFACE**

Thank you for your purchase of the new industry standard for scrubbers. Minuteman International takes great pride in offering the most dependable, reliable and best value in industrial power sweepers and sweeper / scrubbers. We set the standard.

Our Customer Service Department would like to hear from you. If you see any errors, omissions or something that needs clarification in this Parts Catalog please let us know. We are working hard towards continually improving our processes to bring you the best you deserve. Please copy the form below, fill out and comment on how you found our catalog.

Thank you!  
*The Minuteman International Team*

Name: \_\_\_\_\_

Title: \_\_\_\_\_

Company Name: \_\_\_\_\_

Address: \_\_\_\_\_

Country: \_\_\_\_\_

Type of equipment or model number: \_\_\_\_\_

Comments: \_\_\_\_\_

\_\_\_\_\_

\_\_\_\_\_

\_\_\_\_\_

Please return to:  
Customer Service Manager  
Minuteman International, Inc.  
14N845 U.S. Route 20  
Pingree Grove, Illinois 60140 USA

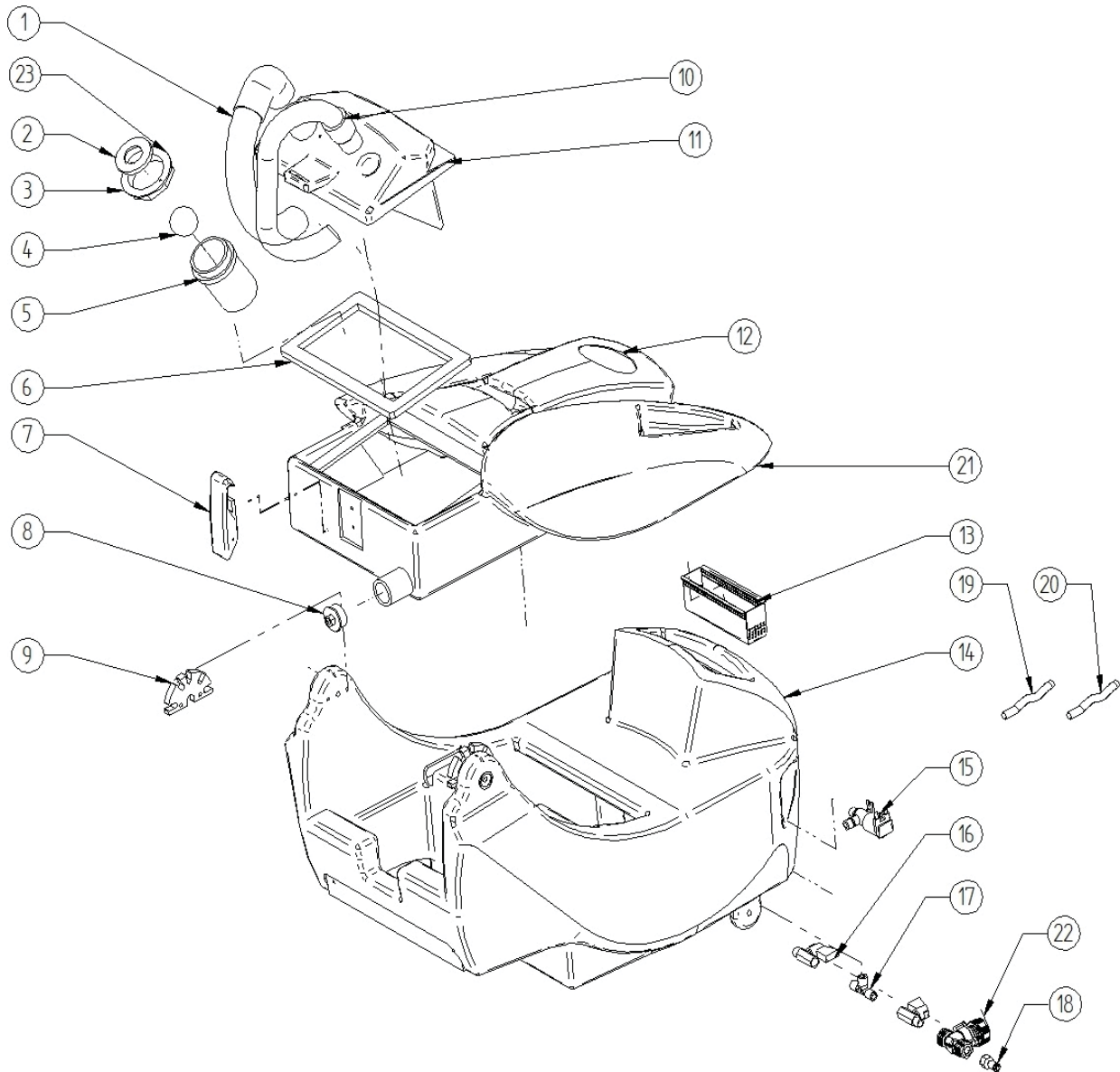
Phone: (800) 323-9420  
Email: [tech@minutemanintl.com](mailto:tech@minutemanintl.com)

# Table of Contents

**Exploded Views .....4**

- Tank Assembly - Cable Version ..... 4
- Tank Assembly - Battery Version ..... 6
- Handle - Cable Version ..... 8
- Handle - Battery Version ..... 10
- Chassis - Cable Version..... 12
- Chassis - Battery Version..... 14
- Scrubber Group - Cable Version ..... 16
- Scrubber Group - Battery Version ..... 18
- Squeegee 430..... 20
- Power and Signal Wiring - Cable Version ..... 22
- Power and Signal Wiring - Battery Version ..... 23

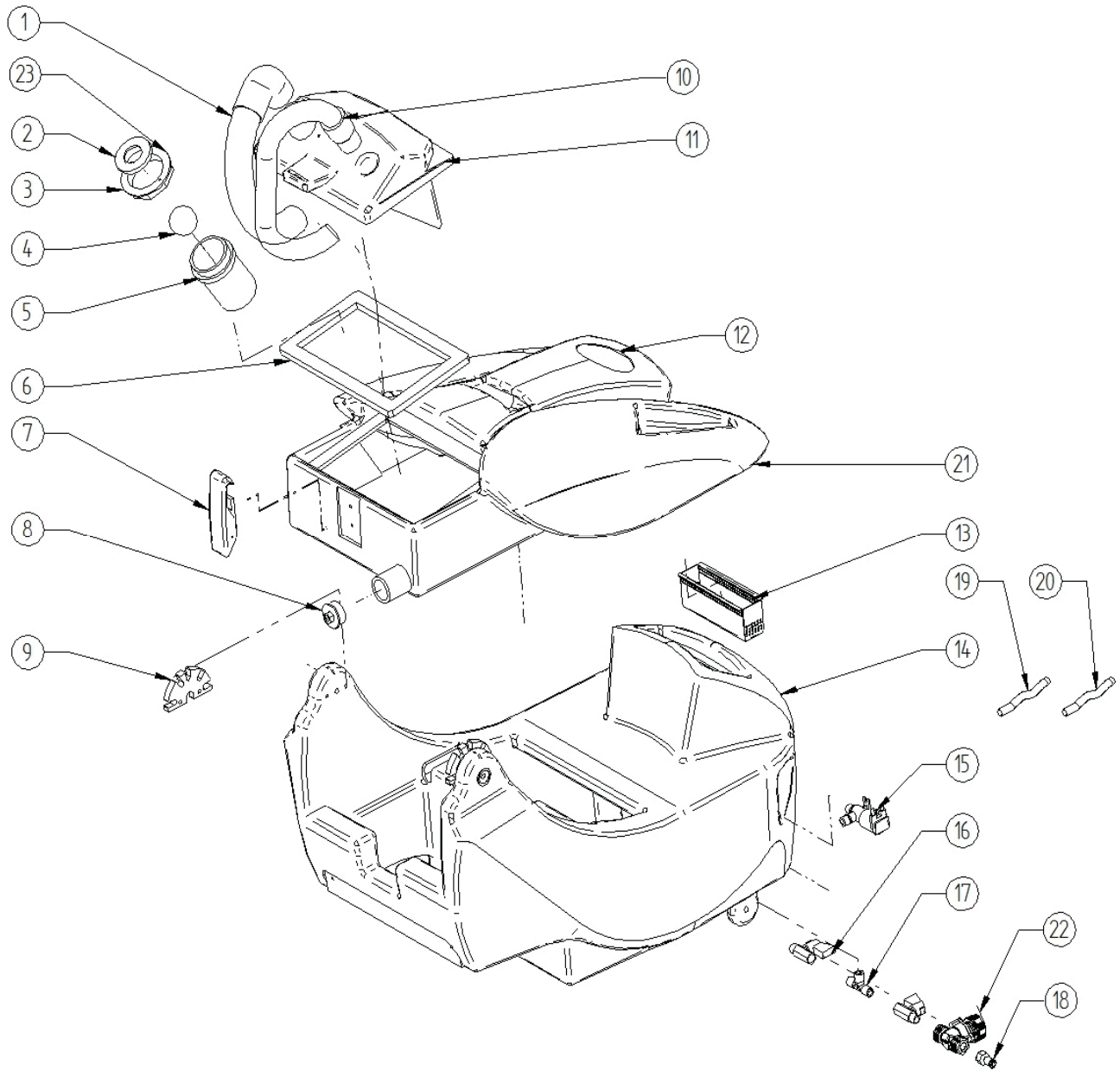
## Exploded Views Tank Assembly - Cable Version



**Tank Assembly - Cable Version Bom**

POS.	PART NUMBER	Q.ty	DESCRIPTION
1	2665-0084-3	1	HOSE Ø38
2	2135-0027-0	1	FILTER 'SUPPORT
3	15-3351-001	1	RING NUT 2"
4	15-3200-005	1	LIGHT FLOAT Ø40
5	15-3100-003	1	FILTER
6	2705-0039-2	1	BLADE
7	05-0401-002	1	LOCK
8	15-3600-000	1	CAP
9	2130-0369-4Z	2	HANDLE FLANGE
10	2665-0081-2	1	HOSE Ø25
11	2655-0115-0	1	BURGUNDY PLASTIC COVER
12	8300-0053-0	1	OVAL STICKER "TSM"
13	2321-0005-1	1	FILLING WATER FILTER
14	2655-0047-0	1	SOLUTION TANK
15	4053-0120-0	1	WIRED SOLENOID 220V
15	4053-0121-0	1	WIRED SOLENOID 115V
16	15-3500-002	2	COCK M - F
17	15-3333-000	1	T-CONNECTOR 1/4"
18	15-3363-002	1	STRAIGHT CONNECTOR M/M Ø6
18	15-3363-004	2	STRAIGHT CONNECTOR F/M Ø6
19	2665-0087-0	1	WATER PIPE (OUTLET SOLENOID)
20	2665-0086-0	1	WATER PIPE (INLET SOLENOID)
21	2655-0114-0	1	BURGUNDY RECOVERY TANK
22	15-3100-008	1	SOLUTION TANK FILTER 1/4" F- F
23	2705-0041-0	1	BLADE 2"

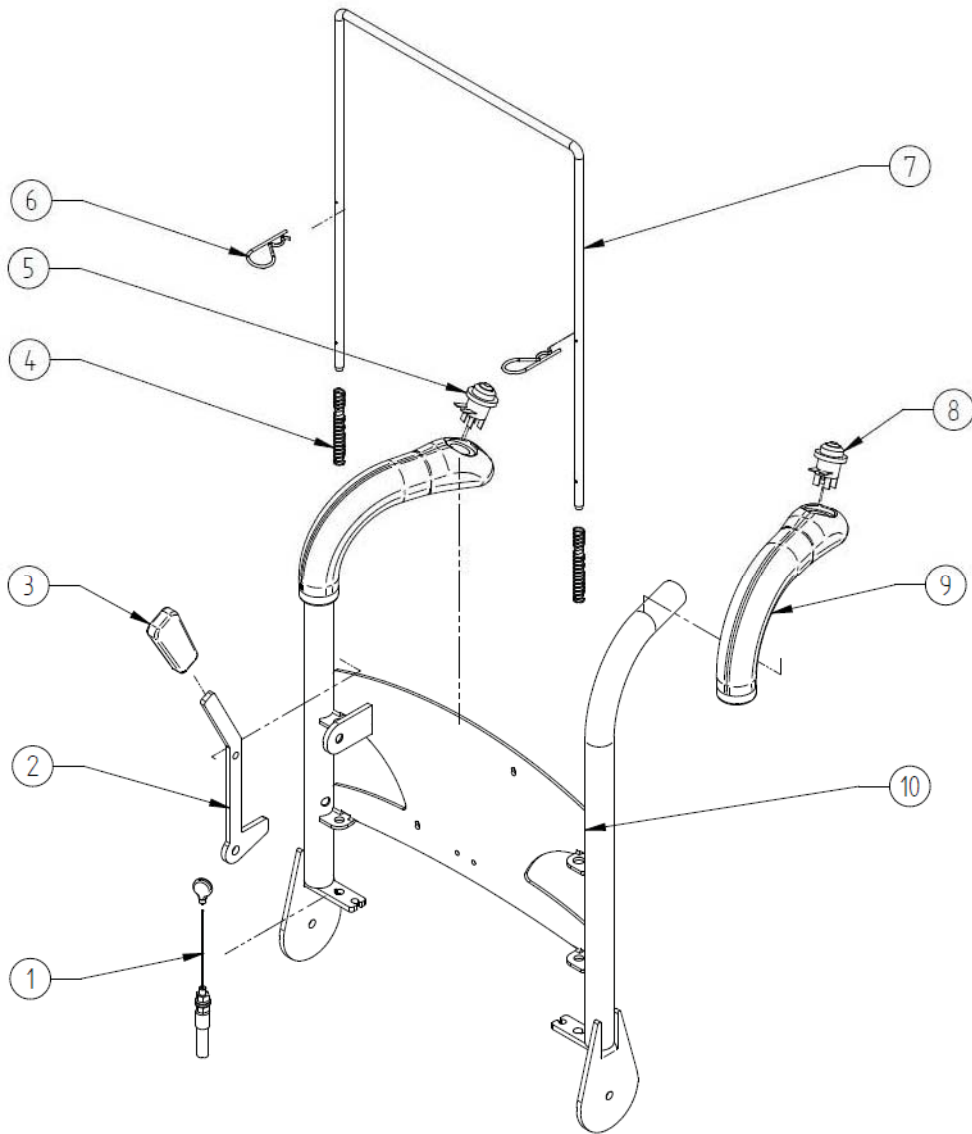
**Tank Assembly - Battery Version**



**Tank Assembly - Battery Version Bom**

POS.	PART NUMBER	Q.ty	DESCRIPTION
1	2665-0084-3	1	HOSE Ø38
2	2135-0027-0	1	FILTER 'SUPPORT
3	15-3351-001	1	RING NUT 2"
4	15-3200-005	1	LIGHT FLOAT Ø40
5	15-3100-003	1	FILTER
6	2705-0039-2	1	BLADE
7	05-0401-002	1	LOCK
8	15-3600-000	1	CAP
9	2130-0369-4Z	2	HANDLE FLANGE
10	2665-0081-2	1	HOSE Ø25
11	2655-0115-0	1	BURGUNDY PLASTIC COVER
12	8300-0053-0	1	OVAL STICKER "TSM"
13	2321-0005-1	1	FILLING WATER FILTER
14	2655-0047-0	1	SOLUTION TANK
15	15-3511-008	1	SOLENOID 12V
16	15-3500-002	2	COCK M - F
17	15-3333-000	1	T-CONNECTOR 1/4"
18	15-3363-002	1	STRAIGHT CONNECTOR M/M Ø6
18	15-3363-004	2	STRAIGHT CONNECTOR F/M Ø6
19	2665-0087-0	1	WATER PIPE (OUTLET SOLENOID)
20	2665-0086-0	1	WATER PIPE (INLET SOLENOID)
21	2655-0114-0	1	BURGUNDY RECOVERY TANK
22	15-3100-008	1	SOLUTION TANK FILTER 1/4" F- F
23	2705-0041-0	1	BLADE 2"

**Handle - Cable Version**

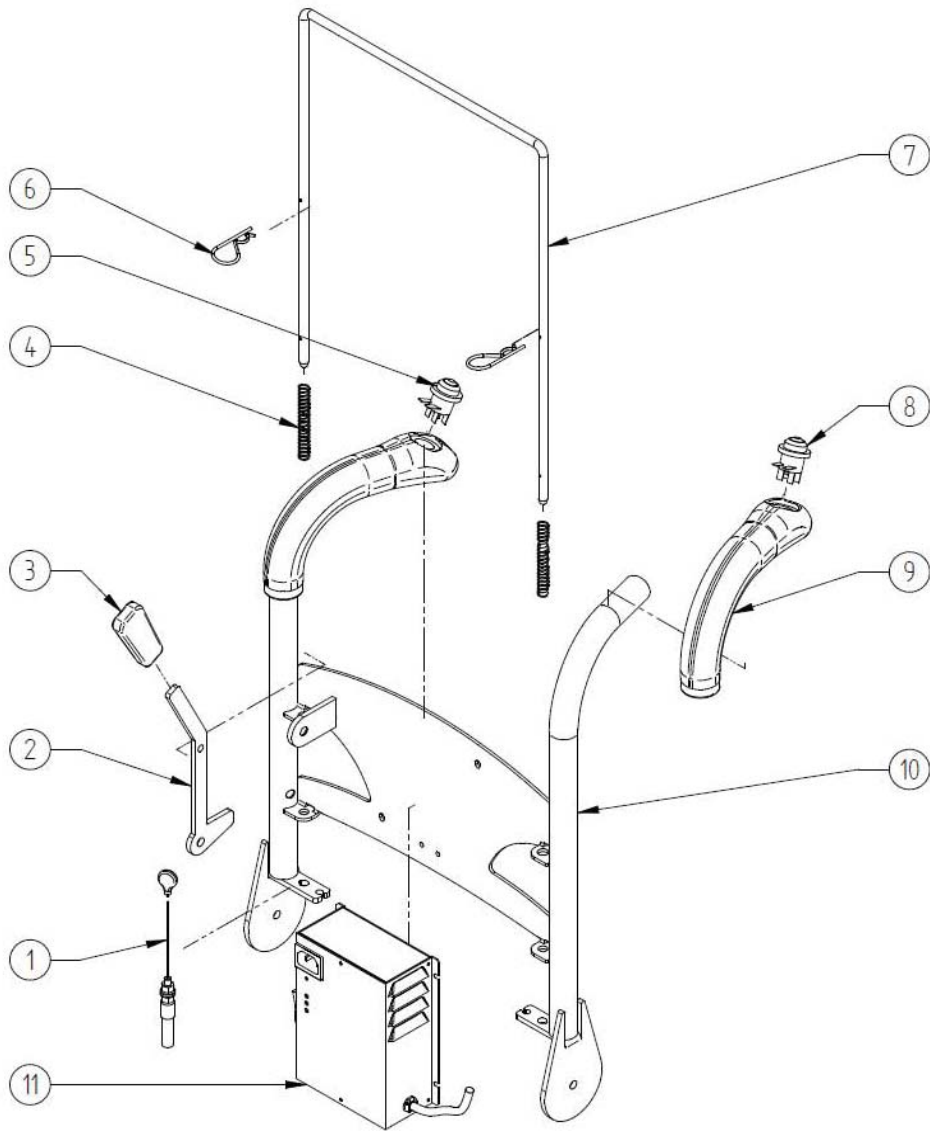




**Handle - Cable Version Bom**

POS.	PART NUMBER	Q.ty	DESCRIPTION
1	3070-0021-2	1	CABLE Ø1,5 WITH DOUBLE BUSHING
2	2020-0062-0E	1	LEVER
3	15-0202-002	1	RED KNOB 5 MM
4	15-2030-001	2	SPRING Ø11
5	4053-0112-0	1	WIRED STABLE SWITCH
6	10-4500-000	4	SPLIT PIN M 1,8
7	2020-0045-2Z	1	LEVER
8	4053-0113-0	1	WIRED UNSTABLE SWITCH
9	2385-0005-0	2	HANDGRIP
10	3290-0006-0E	1	HANDLE

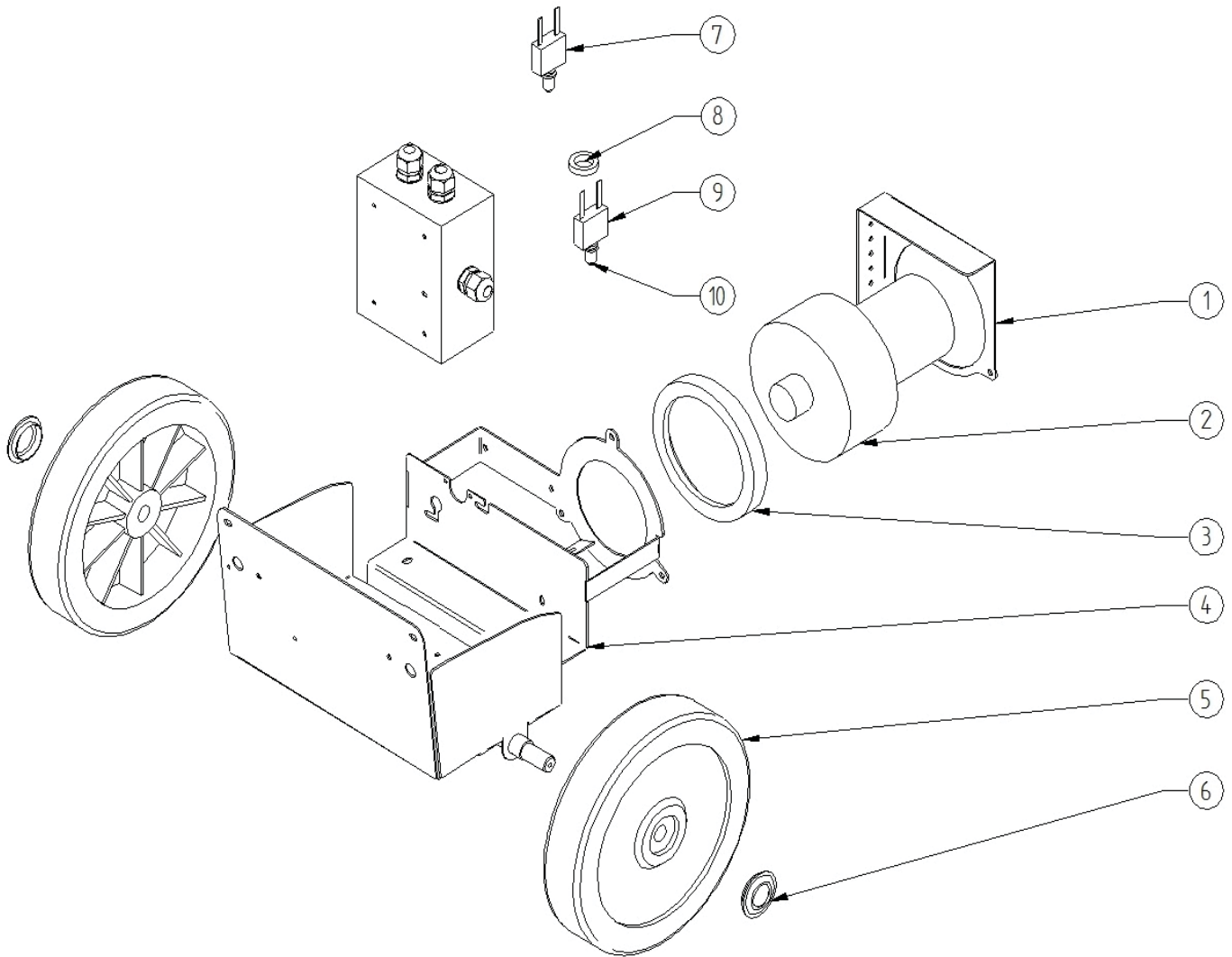
**Handle - Battery Version**



**Handle - Battery Version Bom**

POS.	PART NUMBER	Q.ty	DESCRIPTION
1	3070-0021-2	1	CABLE Ø1,5 WITH DOUBLE BUSHING
2	2020-0062-0E	1	LEVER
3	15-0202-002	1	RED KNOB 5 MM
4	15-2030-001	2	SPRING Ø11
5	4053-0108-0	1	WIRED STABLE SWITCH
6	10-4500-000	4	SPLIT PIN M 1,8
7	2020-0045-2Z	1	LEVER
8	4053-0109-0	1	WIRED UNSTABLE SWITCH
9	2385-0005-0	2	HANDGRIP
10	3290-0006-0E	1	HANDLE
11	18-0014-011	1	BATTERY CHARGER 12V 8A

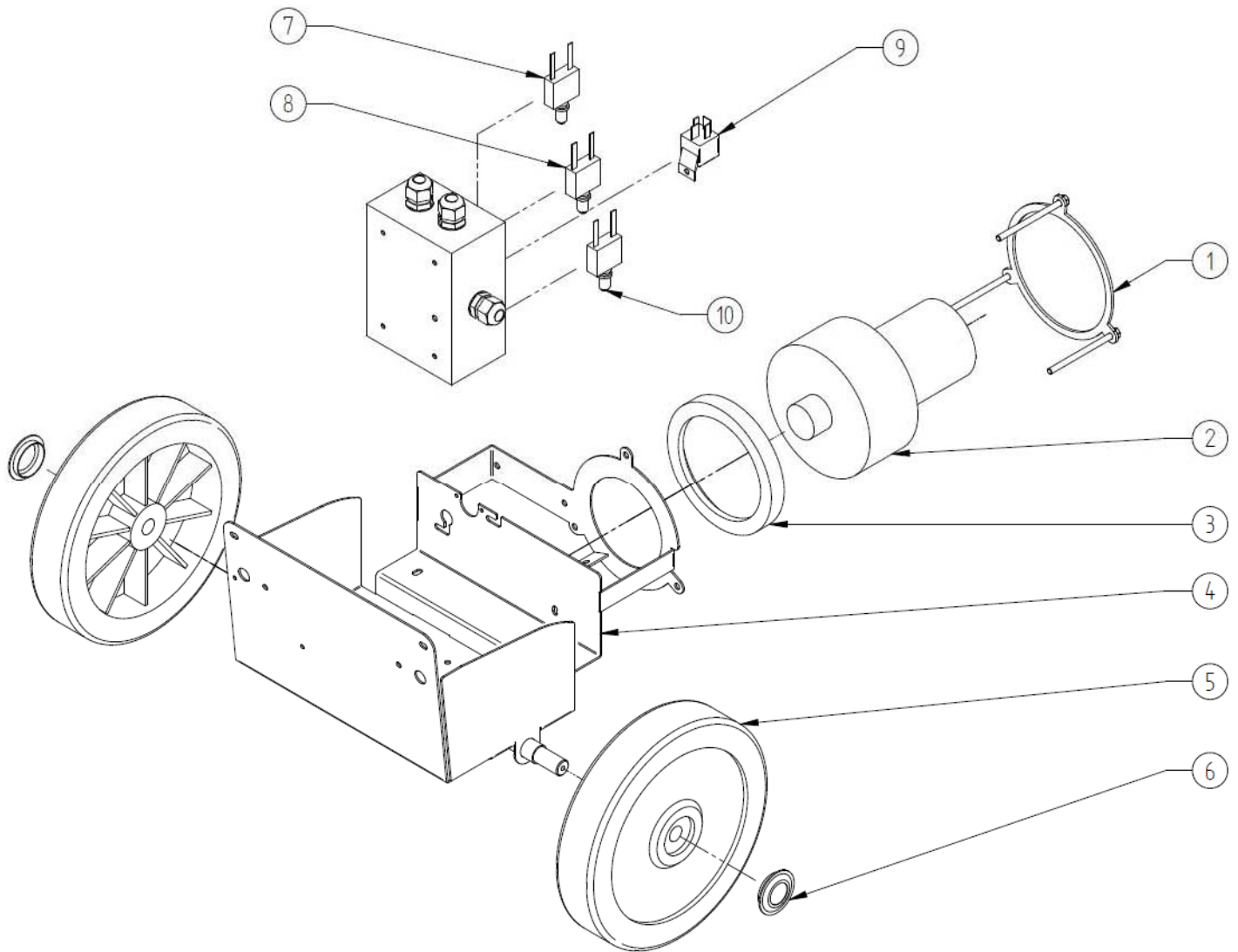
**Chassis - Cable Version**



**Chassis - Cable Version Bom**

POS.	PART NUMBER	Q.ty	DESCRIPTION
1	3130-0101-0Z	1	VACUUM SUPPORT
2	13-1110-003	1	VACUUM MOTOR 220V 250W
2	13-1110-010	1	VACUUM MOTOR 115V 250W
3	15-3020-000	1	RUBBER PRINTED GASKET
4	3130-0100-0E	1	BASE
5	12-0000-008	2	WHEEL Ø250
6	15-1301-012	2	GREY ANTHRACITE WHEEL COVER
7	14-0009-030	1	TERMICAL SWITCH 3A
8	14-9905-000	1	FILTER
9	14-0009-080	1	TERMICAL SWITCH 8A
10	14-0009-051	2	COVER FOR TERMICAL SWITCH

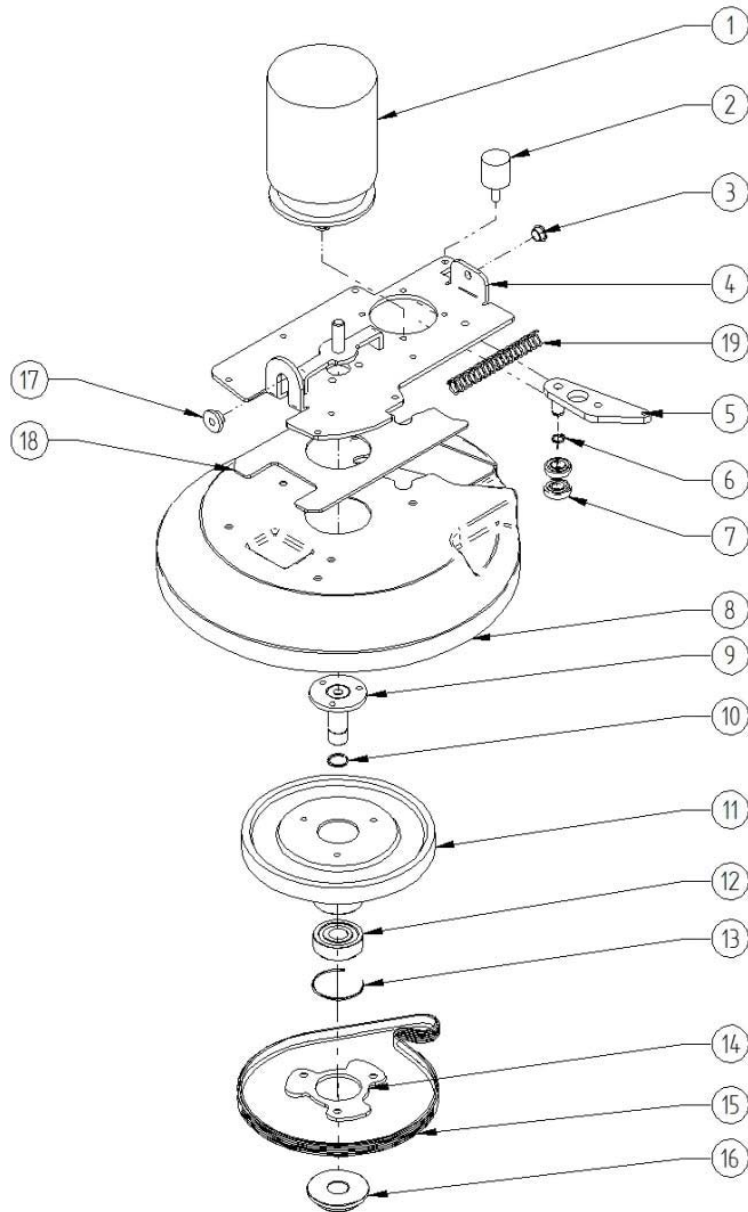
**Chassis - Battery Version**



**Chassis - Battery Version Bom**

<b>POS.</b>	<b>PART NUMBER</b>	<b>Q.ty</b>	<b>DESCRIPTION</b>
1	3130-0101-0Z	1	VACUUM SUPPORT
2	13-1100-000	1	VACUUM MOTOR 12V 200W
3	15-3020-000	1	RUBBER PRINTED GASKET
4	3130-0100-0E	1	BASE
5	12-0000-008	2	WHEEL Ø250
6	15-1301-012	2	GREY ANTHRACITE WHEEL COVER
7	14-0009-120	1	TERMICAL SWITCH 12A
8	14-0009-132	2	TERMICAL SWITCH 30A
9	14-9903-001	2	RELAY 12V
10	14-0009-051	3	COVER FOR TERMICAL SWITCH

**Scrubber Group - Cable Version**

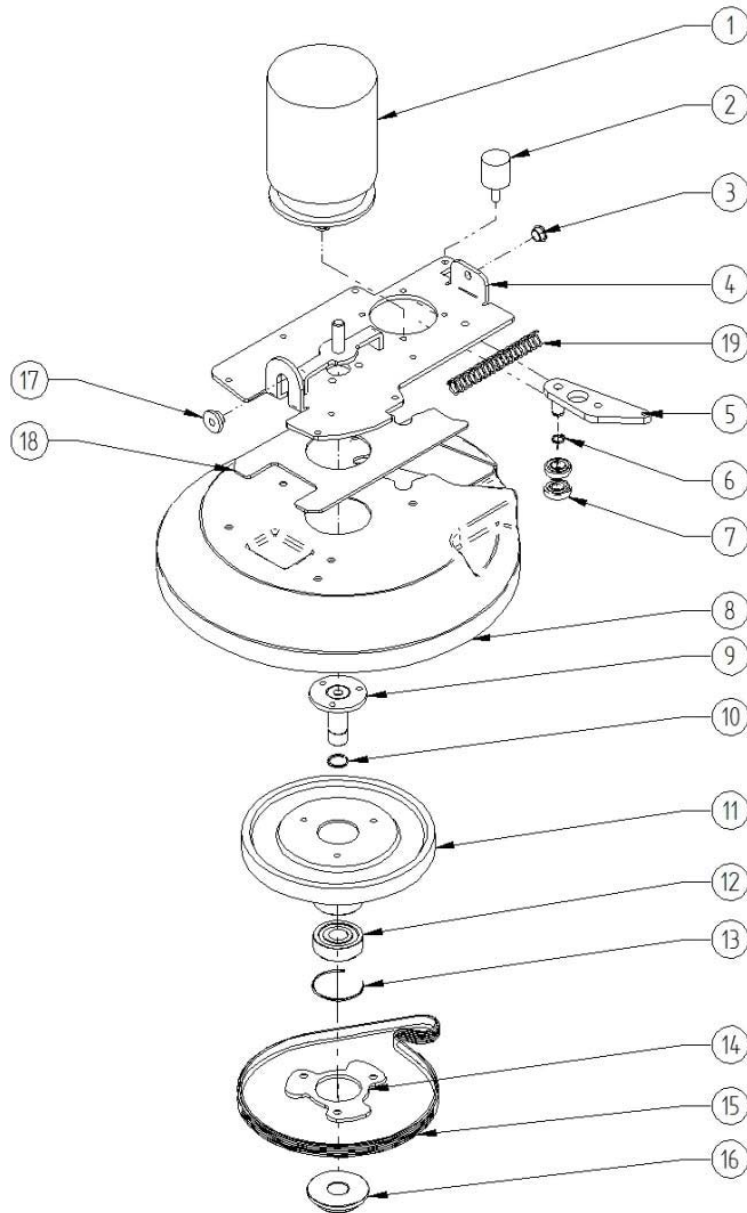




**Scrubber Group - Cable Version Bom**

POS.	PART NUMBER	Q.ty	DESCRIPTION
1	13-0100-003	1	BRUSH MOTOR 220V 250W
1	13-0100-006	1	BRUSH MOTOR 115V 250W
2	15-2011-000	1	SILENT BLOCK M8 30X30
3	11-0110-000	1	BUSHING Ø8
4	3130-0111-0Z	1	BRUSH MOTOR SUPPORT
5	3200-0005-0Z	1	BELT TIGHTENER
6	10-4800-012	1	SEEGER RING M 12
7	11-1020-001	2	BEARING Ø12
8	2365-0052-1	1	BRUSH COVER
9	3401-0002-0	1	STAINLESS STEEL PULLEY AXIS
10	10-4800-152	1	SEEGER RING M 52
11	4435-0000-0	1	PULLEY
12	11-1020-002	2	BEARING Ø20
13	10-4800-020	1	STAINLESS STEEL SEEGER RING Ø20
14	2451-0001-0	1	GUIDING PLATE
15	2485-0000-0	1	BELT
16	2225-0010-0	1	BRUSH HUB
17	2224-0001-1	1	BRUSH BASE BUSHING
18	2705-0053-0	1	GASKET BRUSH COVER
19	15-2020-000	1	SPRING Ø1,8

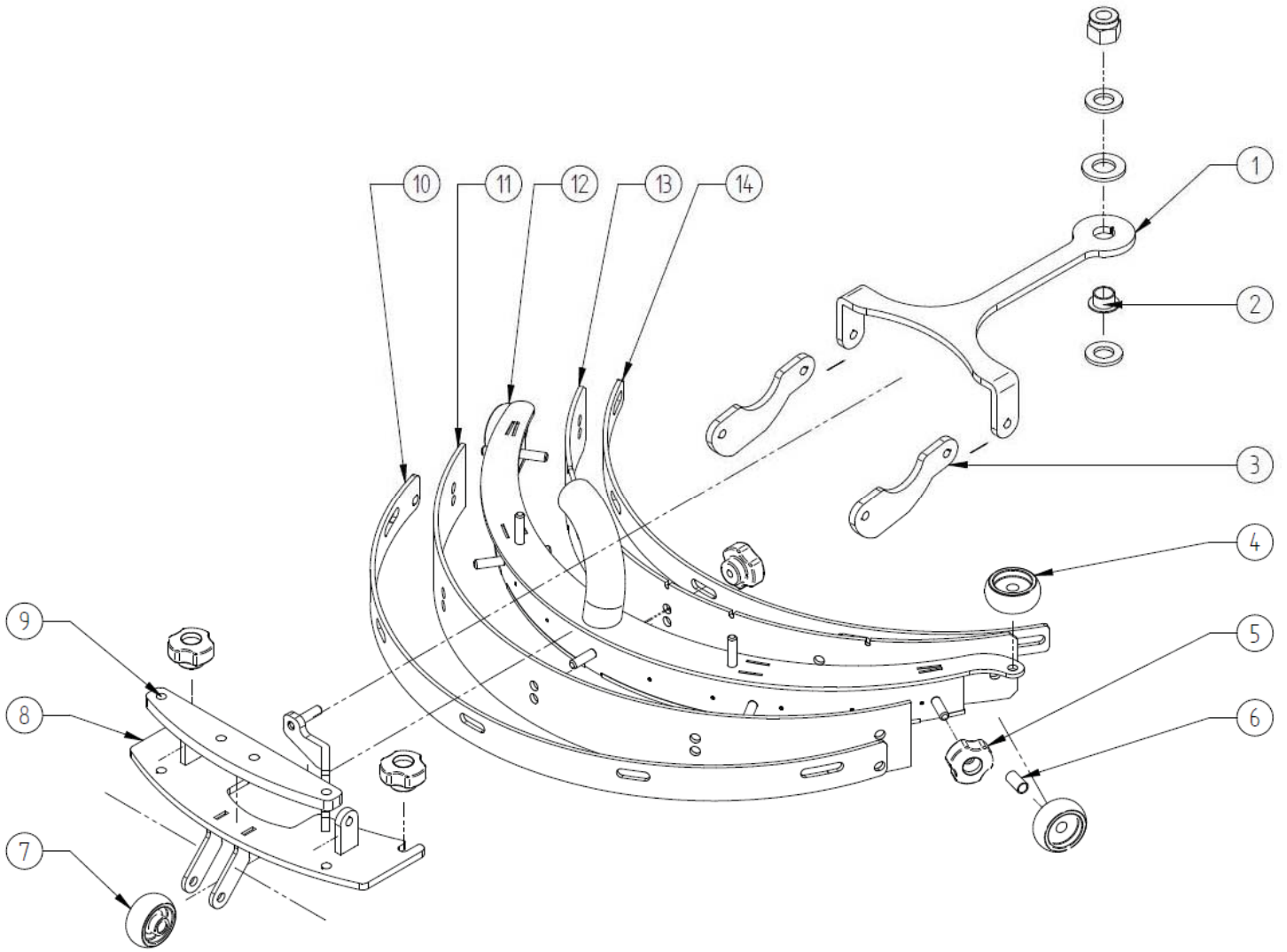
**Scrubber Group - Battery Version**



**Scrubber Group - Battery Version Bom**

POS.	PART NUMBER	Q.ty	DESCRIPTION
1	13-0000-003	1	BRUSH MOTOR 12V 250W
2	15-2011-000	1	SILENT BLOCK M8 30X30
3	11-0110-000	1	BUSHING Ø8
4	3130-0111-0Z	1	BRUSH MOTOR SUPPORT
5	3200-0005-0Z	1	BELT TIGHTENER
6	10-4800-012	1	SEEGER RING M 12
7	11-1020-001	2	BEARING Ø12
8	2365-0052-1	1	BRUSH COVER
9	3401-0002-0	1	STAINLESS STEEL PULLEY AXIS
10	10-4800-152	1	SEEGER RING M 52
11	4435-0000-0	1	PULLEY
12	11-1020-002	2	BEARING Ø20
13	10-4800-020	1	STAINLESS STEEL SEEGER RING Ø20
14	2451-0001-0	1	GUIDING PLATE
15	2485-0000-0	1	BELT
16	2225-0010-0	1	BRUSH HUB
17	2224-0001-1	1	BRUSH BASE BUSHING
18	2705-0053-0	1	GASKET BRUSH COVER
19	15-2020-000	1	SPRING Ø1,8

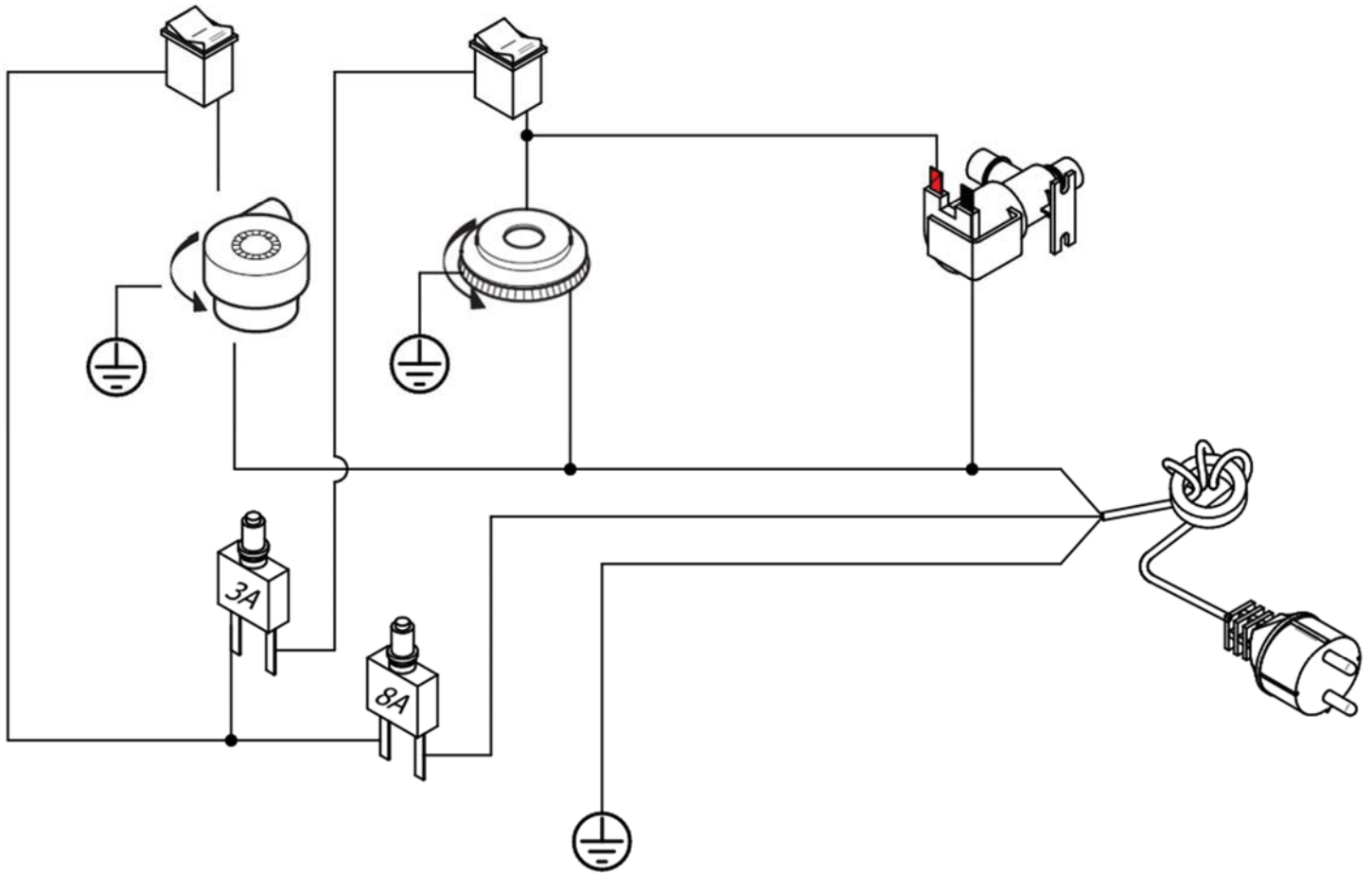
**Squeegee 430**



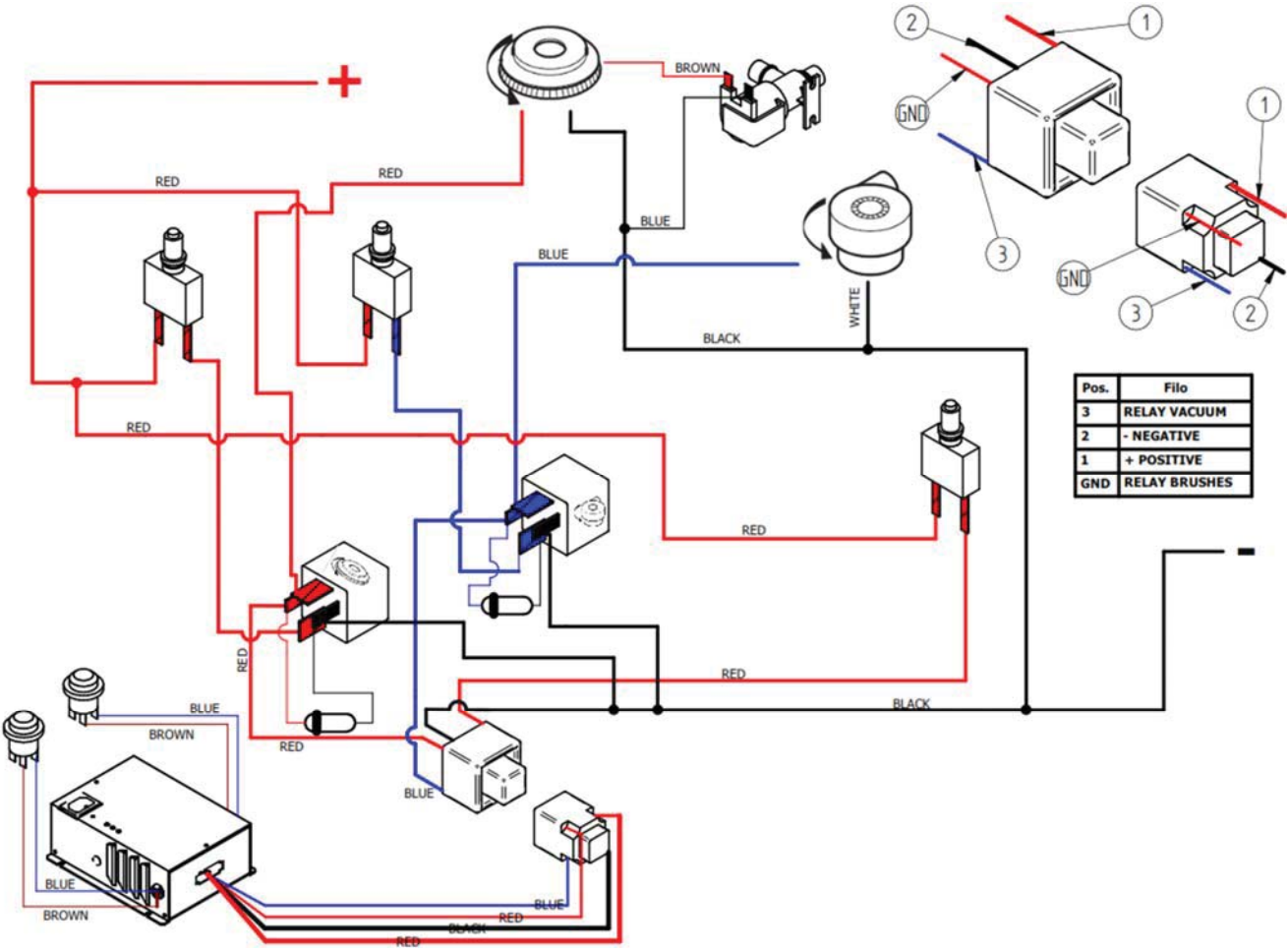
**Squeegee 430 Bom**

POS.	PART NUMBER	Q.ty	DESCRIPTION
1	2610-0041-OZ	1	1° ARM SQUEEGEE
2	11-0110-004	1	BUSHING Ø12
3	2280-0024-OZ	2	ARM SQUEEGEE
4	2395-0003-0	3	SQUEEGEE 'WHEEL
5	10-6203-001	12	OPEN M 6 HANDWHEEL
6	2220-0028-0	3	WHEEL SPACER
7	12-0000-010	1	TRACTION WHEEL Ø36 X 15
8	3610-0021-OZ	1	2° ARM SQUEEGEE
9	2120-0033-1Z	2	BALLAST
10	2260-0068-3Z	1	RETAINER SEAL
11	2705-0047-0	1	BLADE 430 - 3
12	3920-0039-0E	1	SQUEEGEE 430
13	2705-0035-5	1	BLADE 430 - 2
14	2260-0069-OZ	1	RETAINER SEAL

**Power and Signal Wiring - Cable Version**



**Power and Signal Wiring - Battery Version**



# ***“More Than Just Clean”***

**Minuteman is a Full Line Manufacturer of Sweepers and Scrubbers,  
for Industrial Facilities.**